

BOROSIL®

Performs beautifully

Nutrifresh
Mini blender & grinder



Warranty
on product

8203.



AK-J + . . . 5334466



USER MANUAL
BNB400WPB31

READ ALL INSTRUCTIONS BEFORE USING THIS APPLIANCE

— |

| —

— |

| —

INTRODUCTION

Congratulations on your purchase of
BOROSIL NUTRIFRESH PB31!

Please read this instruction carefully before first use of this product.

IMPORTANT SAFEGUARDS

When using electrical appliances, basic safety precautions should always be followed including the following:

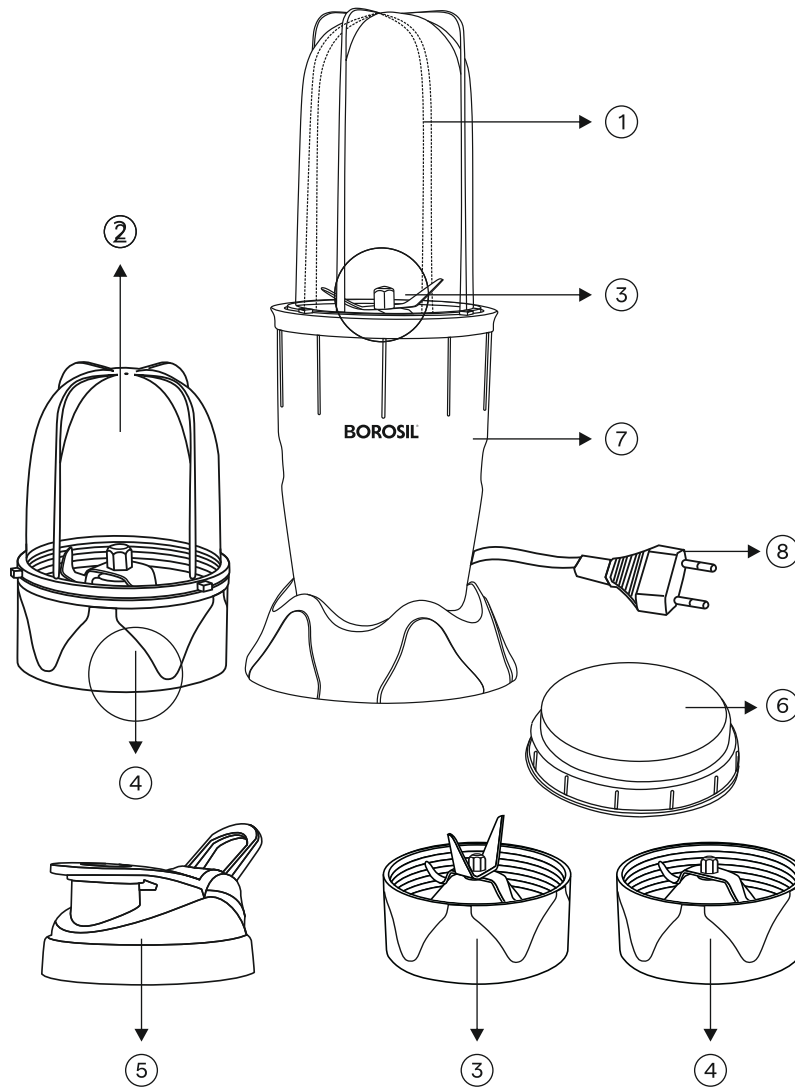
- Use only 230V,50Hz AC supply.
- Handle the appliance and attachment with care; remember the blades are very sharp and should be kept out of reach of children.
- Do not operate the appliance with a heavy load or run the motor without food in the jar.
- Do not move the appliance or leave it unattended during operation. Never operate appliance without the jar base in place.
- Never try to touch the moving parts or blades of the Nutrifresh while it is in use.
- Keep the Nutrifresh blender at least 6 inch (150mm) away from the walls for proper ventilation.
- Do not immerse the motor unit, motor base cord or power cord in water or any other liquid to prevent electric shock. Do not rinse it either.
- This appliance is not intended for usage by persons (including children) with reduced physical, sensory or mental capabilities or lack of experience and knowledge, unless under supervision or given instructions concerning the usage of the appliance by a person responsible for their safety.
- Use this appliance only for its intended use, as described in this manual. Do not use any accessory or attachment which is not provided in the product packing box.
- Remove all packing material and promotional stickers before using the appliance for the first time.
- Do not place the appliance near the edge of a bench or table during operation. Ensure the surface is level, clean and free of water, flour etc. Do not use the appliance on a metal surface, for example, a sink drain board.
- Do not use the product outdoor or for commercial use.
- To disconnect, hold the plug and pull from wall outlet. Never pull on the cord
- Always wait till the blades have completely stopped before removing the jar attachment from the motor unit.
- Close supervision is necessary when the appliance is used near children
- Never attempt to open any part or dismantle the controls. Responsibility for failure would not be accepted if this instruction has been ignored
- To reduce the risk of electrical hazards, it is recommended not to use an extension cord.

SAVE THESE INSTRUCTIONS

Note :


- To avoid danger of electric shock, unplug the unit from outlet when not in use or before cleaning, assembling or disassembling any parts. If the supply cord is damaged, do not use and bring it back to Borosil Service Center for repair.
- Do not operate the appliance if it has malfunctioned or has been damaged in any manner.
- Never try to repair the product by yourself. Contact **Borosil Limited** at customer care Toll free no. **1800 2106 520 / 1800 224 552** for examination and repair.

DESCRIPTION OF THE PRODUCT



1. Unbreakable 500 ml Jar
2. Unbreakable 300 ml Jar
3. Blending Jar Base
4. Grinding & Chutney Jar Base

5. Sipper Lid
6. Jar Lid
7. Motor Unit
8. Power Cord

TECHNICAL SPECIFICATIONS		
Product	: MINI BLENDER & GRINDER	JAR CAPACITY
Model Name	: NUTRIFRESH PB31	300 ml - Grinding & Chutney Jar
Item Code	: BNB400WPB31	500 ml - Smoothie / Blending Jar
Rated Voltage	: 230VAC	MAXIMUM LOADING CAPACITY
Rated Frequency	: 50Hz	100 ml - Dry Grinding & Chutney Jar
Rated Power	: 400W 	250 ml - Smoothie / Blending Jar
Household Use Only		

HOW TO USE

BEFORE FIRST USE

- Remove all packaging materials and labels.
- Clean the motor base and the parts thoroughly before use (See "Cleaning and Maintenance")
- Place the required jar with blade attachment
- Plug the unit into the power outlet, the unit is now ready for use.

OPERATING INSTRUCTIONS

- Plug the unit into a proper power socket at 230V~ 50Hz.
- **Do not run the unit continuously for longer than 1 minute at a time. Give it at least 3 minutes break before using again.**
- Always make sure the appliance is completely assembled before operating. Due to its inbuilt safety system the appliance will not operate unless properly assembled. Always ensure the jar has been locked in the slot before operating.
- The jar sizes are interchangeable, they can be used as per your required quantity

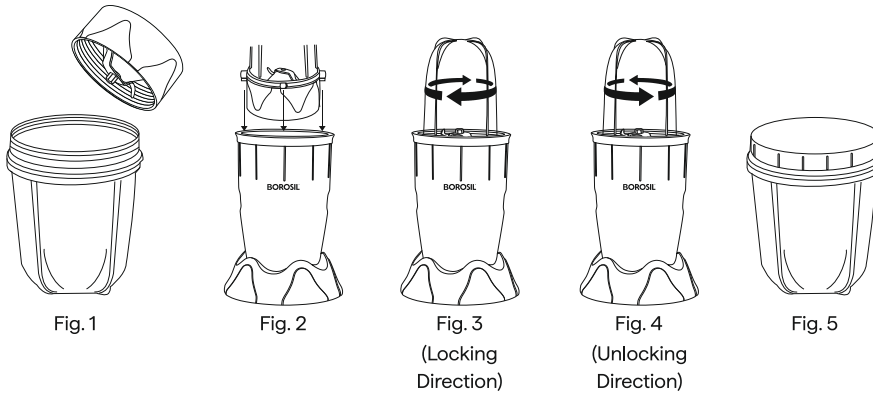
This Nutrifresh appliance can be used for blending or grinding. You can use the unit with different modes as mentioned below:

A) GRINDING:

Use a grinding jar base only for better result.

- Add the ingredient intended to grind (eg. soya bean, rock sugar, sesame, dry coriander, cumin seed, black pepper, garam masala etc.) into the jar (as per your required size)
- Cover the jar with the grinding blade assembly for grinding (Fig. 1)
- Place the jar onto the motor unit. Make sure the ledges of the jar are in the correct position; on the two grooves of the motor unit. (Fig. 2)
- Push down the jar and turn it clockwise to lock into the motor unit and hold the jar (Fig. 3).
The motor will start operating
- When the grinding is finished, turn the jar anti-clockwise to unlock from the motor unit (Fig. 4)
- Take out the jar, inverse it, and open the blade holder. Pour the grounded food into a container or you can cover the jar with lid for storage and use it directly (Fig. 5)

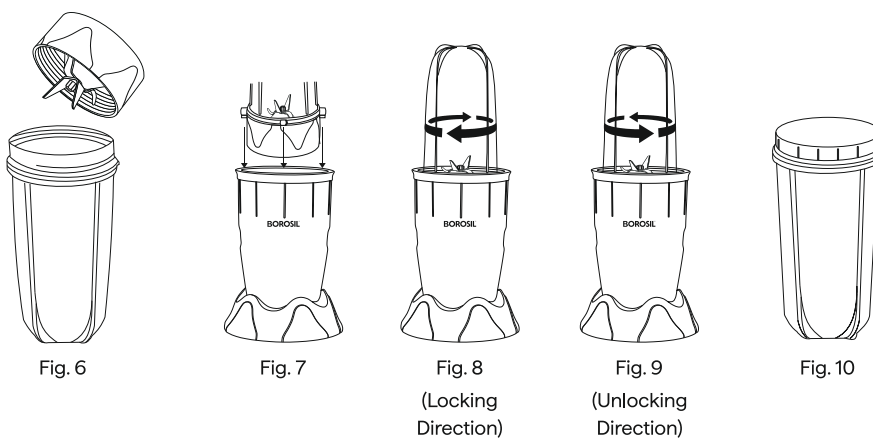
HOW TO USE



B) SMOOTHIE MAKING & BLENDING:

Use blending jar base only for better blending result.

- Add the pre-cut fruit (eg. apple, carrot, kiwi, strawberry, water melon, musk melon, bananas, orange, sweet lime, pineapple etc.) into the smoothie / blending jar (medium)
- Always add some amount of liquid before blending
- Cover the blending jar with the blade assembly for blending. (Fig. 6)
- Put the jar onto the motor unit. Make sure the ledges of the jar are in the correct position; on the two grooves of the motor unit. (Fig. 7)
- Push down the jar and turn it clockwise to lock into the motor unit and hold the jar. (Fig. 8)
The motor will start operating
- When the blending is finished, turn the jar anti-clockwise to unlock from the motor unit. (Fig. 9)
- Take out the jar, inverse it and open the blade assembly. Pour the blended juice/smoothie into a container or you can cover the jar with the lid for direct use or to keep in the refrigerator for serving later. (Fig. 10)



CLEANING AND MAINTENANCE

- Unplug the unit before cleaning.
- Take off all the parts and clean them under running water (Fig. 12). Rinse and dry.
- Do not immerse the motor unit and power cord set into water (Fig. 13). Clean the motor unit with a damp cloth and wipe it dry (Fig. 14).
- To remove stubborn spots, wipe the surface with a piece of cloth slightly dampened in soapy water or a mild non-abrasive cleaner. Follow with a clean damp cloth.
- Do not use any abrasive cleaner or material to clean any part of the Nutrifresh, as it will harm the exterior

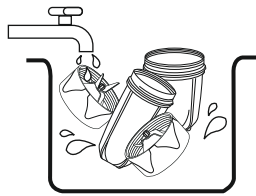


Fig. 12



Fig. 13



Fig. 14

Note:

- Do not tamper or remove the silicone ring in the jar base while cleaning.
- Do not immerse the motor unit and power cord set in water.
- The blades are sharp. Handle with care and patience.
- Make sure the blades are thoroughly dry after each cleaning in order to avoid furring.
- Cleaning is required after each operation.

STORAGE

- Follow the cleaning instructions thoroughly prior to storing the unit.
- Tidy up the power cord.
- Keep the unit away from the reach of children.
- Store the unit and the accessories at a dry, cool place.

A) GRINDING: RECIPE LIST

Sr No.	Recipes	Ingredients Quantity	Max. Time
1.	Garam Masala	60g of assorted spices roasted & cooled	1 min
2.	Dhania Powder	60g of dry Dhania roasted & cooled	1 min
3.	Red Chilli Powder	50g of red chilli roasted & cooled	1 min
4.	Rock Sugar powder	50g rock sugar	1 min
5.	Cumin Seeds Powder	60g of dry cumin seeds roasted & cooled	1 min
6.	Ginger Garlic paste	25g ginger + 25g garlic	1 min
7.	Green Chutney	Green Coriander Leaves-1/4 bunch + Ginger-5g + Green Chili-1+ Mint Leaves-10 + Salt to Taste	1 min

NOTE:

- Do not use blending blade for grinding and vice versa
- Do not use it for grinding hard masalas

B) SMOOTHIE / BLENDING : RECIPE LIST

Sr No.	Recipes	Ingredients Quantity	Max. Time
1.	Orange - Pineapple - Sweet lime Smoothies	Orange - 1/2 medium + Sweet lime - 1/2 medium + Pineapple-2 slices + Little water + Salt-add to taste	40 secs
2.	Musk Melon - Papaya Shot	Musk melon - 2 wedges + Papaya - 1/2 cup chopped + Little water + Salt-add to taste	40 secs
3.	Apple - Anar Shot	Apple - 1small + Pomegranate - 1/2 cup + Little water + Salt - add to taste	40 secs
4.	Tomato - Beetroot Shot	Tomato - 1 small + Beetroot - 5 medium pcs + Little water + Salt & lime add to taste	40 secs
5.	Coriander Greens - Mint Shot	Coriander leaves - 1/2 bunch + Mint leaves - 20 + Little water + Cumin Powder & Salt - add to taste	40 secs
6.	Melon Mast	Watermelon - 3 slices + Muskmelon-3 slices + Skimmed milk powder-2 tsp + Ice cubes-fews	40 secs
7.	Apple Smoothie	Apple - 1 large ripe + Honey - 2 tsp + Fresh cream-1tsp + Cow's Milk-1/2 cup	40 secs
8.	Strawberry Smoothie	Strawberries - 5 - 6 nos ripe + Fresh Yoghurt - 1 cup + Honey - 2 tsp + Fresh Cream - 1 tsp	40 secs
9.	Orange Smoothies	Orange 2 medium + Little water + Salt-add to taste	40 secs
10.	Milkshake	Milk-150 ml + Ice Cream + Sugar	40 secs
11.	Lassi	Curd-150 g + Sugar + Milk	40 secs

ENVIRONMENT FRIENDLY DISPOSAL



You can help protect the environment!

Please remember to respect the local regulations:

Hand in the non-working electrical equipment to an appropriate waste disposal center.

WARRANTY FOR REPAIR AND SERVICES

This product comes with a warranty of Two Years on product from the date of purchase as specified on the Warranty Card. This is against all defective material or workmanship. In the event of a defect, Borosil Limited at its sole choice, will either repair or replace this product or any component of the product found to be defective free of cost through any Borosil Authorized Service Center or at customer place or with dealer from whom it has been purchased during the warranty period.

For any information or problem, contact Borosil Customer Care Toll free no. **1800 2106 520 / 1800 224 552** or e-mail us at **myborosil@borosil.com** or contact your local dealer or **Borosil Authorized Service Centre** and provide information about the defect with the model number and the serial number of the product.

The warranty is not valid in case:

1. Product is not used according to user manual.
2. Defects caused by improper or reckless use.
3. Repairs done by persons other than Borosil Authorized Service Centre.
4. Modifications of any nature made in the product.
5. Tampered serial number and incomplete warranty card after purchase.
6. If the product is used for commercial purpose (i.e. other than domestic use).
7. Usage of parts not recommended by Borosil or those made by other manufacturers.
8. The model no. on the invoice is different from the product to be repaired.
9. Borosil is not responsible for accidents arising due to the use of accessories not designed for the utilisation with this product.
10. If the defects are caused by fire, flood and the other act of god
11. If the defects are caused by use of incorrect current or voltage or faulty electric power supply.
12. All consumables and parts susceptible to normal wear & tear are not covered under warranty.
13. This warranty does not cover damage or injury caused by accident, mishandling, misuse or normal wear and tear or for loss of injury, directly or indirectly arising out of use of this product. The decision of the company in this regard shall be final.
14. If the product is used with any type of adapter or connector.
15. If the product is used in locations with different electrical specifications.

WARRANTY CARD

BOROSIL®

THIS CARD IS VALID ONLY IF IT IS FILLED IN COMPLETELY, SIGNED AND STAMPED
BY THE DEALER ON THE DATE OF PURCHASE

MODEL CODE: **BNB400WPB31**

CUSTOMER'S NAME: _____

ADDRESS: _____

PHONE NO. RESIDENCE: _____ OFFICE: _____

DATE PURCHASE & BILL NO.: _____

DEALER NAME & SIGN: _____

CUSTOMER'S SIGNATURE: _____

DEALER'S STAMP

BOROSIL®

CORPORATE OFFICE:

BOROSIL LIMITED

1101, G-Block, Crescenzo, BKC, Bandra (East), Mumbai- 400 051, Maharashtra.

Website: www.myborosil.com | **Customer Care Toll Free No.:** 1800 224 552 / 1800 2106 520

Email id: myborosil@borosil.com | Tel.: 022 6740 6300 | Fax: 022 6740 6514

CIN No.: L36100MH2010PLC292722

SALES OFFICE:

MUMBAI:

Kanakia Zillion, B-Wing, Unit No. 306, L.B.S Marg, Next to Kurla Bus Depot, Kurla (W),

Mumbai- 400 070. | Tel.: 022 6740 6400 | Fax: 022 6740 6444

email id: mumbaisales@borosil.com

DELHI:

19/90, P-Block, Connaught Place (Madras Hotel Block), New Delhi- 110 001.

Tel.: 011 2334 3897 | Fax: 011 2374 6689 | email id: delhi@borosil.com

CHENNAI:

NEW No. 20, (Old No. 9) 1st Floor, Brahadammal Road, Nungambakkam, Chennai- 600 034.

Tel.: 044 2822 6012 / 2822 6013 | Fax: 044 2822 6014

email id: borosilms@ethnet / chennai@borosil.com

KOLKATA:

E-2/3, 2nd Floor, Gilander House, Netaji Subhash Road, Kolkata, West Bengal- 700 001.

Tel.: 033 2229 9166 / 2226 2045 | email id: calcutta@borosil.com

GURUGRAM:

201, 2nd Floor, CRS Towers, Plot No. 77-B, Village Sarhaul, Iffco Road, Sector- 18, Gurugram,

Haryana- 122 015. | Tel.: 0124 6926 333

BENGALURU:

Spatium South Park, 54, 1st Floor, 1st Main Rd, Sarakki Industrial Layout, Dollar Layout, 3rd Phase,

J. P. Nagar, Bengaluru, Karnataka 560078.

email id: bangalore@borosil.com

**GOT A SERVICE-RELATED QUERY OR
NEED CUSTOMER SUPPORT?**



SCAN THE QR CODE & PLACE YOUR
SERVICE REQUEST ON WHATSAPP 24 x 7
+91 7208487334

TOLL FREE NUMBER

**1800 224 552 /
1800 2106 520**

Shop online at www.myborosil.com | Follow us on    Borosil And You